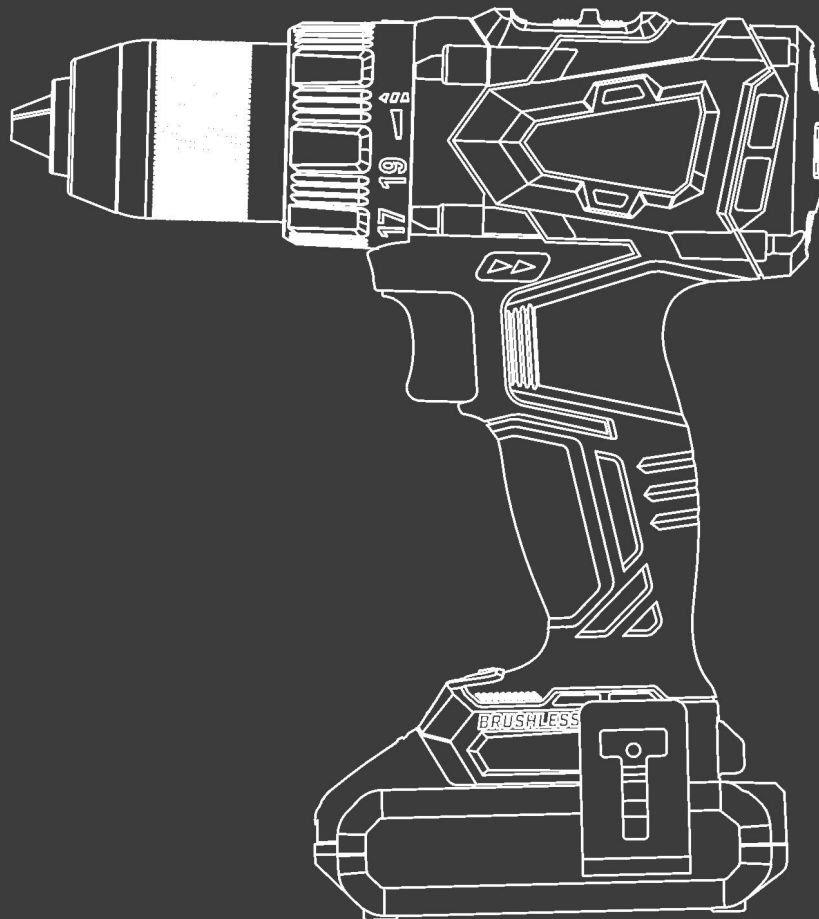


**HYUNDAI**  
POWER PRODUCTS

**CORDLESS DRILL  
HPVB20VSP-2B2A**

**ORIGINAL INSTRUCTION**



**warning: read the following instructions before use the machine**

## **Safety instructions**

---

**⚠ WARNING** Read all safety warnings and all instructions. *Failure to follow the warnings and instructions may result in electric shock, fire and/or serious injury.*

**Save all warnings and instructions for future reference.** *The term "power tool" in the warnings refers to your mains-operated (corded) power tool or battery-operated (cordless) power tool.*

### **1) Work area safety**

- a) **Keep work area clean and well lit.** *Cluttered or dark areas invite accidents.*
- b) **Do not operate power tools in explosive atmospheres, such as in the presence of flammable liquids, gases or dust.** *Power tools create sparks which may ignite the dust or fumes.*
- c) **Keep children and bystanders away while operating a power tool.** *Distractions can cause you to lose control.*

### **2) Electrical safety**

- a) **Power tool plugs must match the outlet. Never modify the plug in any way. Do not use any adapter plugs with earthed (grounded) power tools.** *Unmodified plugs and matching outlets will reduce risk of electric shock.*
- b) **Avoid body contact with earthed or grounded surfaces, such as pipes, radiators, ranges and refrigerators.** *There is an increased risk of electric shock if your body is earthed or grounded.*
- c) **Do not expose power tools to rain or wet conditions.** *Water entering a power tool will increase the risk of electric shock.*
- d) **Do not abuse the cord. Never use the cord for carrying, pulling or unplugging the power tool. Keep cord away from heat, oil, sharp edges or moving parts.** *Damaged or entangled cords increase the risk of electric shock.*
- e) **When operating a power tool outdoors, use an extension cord suitable for outdoor use.** *Use of a cord suitable for outdoor use reduces the risk of electric shock.*
- f) **If operating a power tool in a damp location is unavoidable, use a residual current device (RCD) protected supply.** *Use of an RCD reduces the risk of electric shock.*

NOTE the term "residual current device (RCD)" may be replaced by the term "ground fault circuit interrupter (GFCI)" or "earth leakage circuit breaker (ELCB)".

### **3) Personal safety**

- a) **Stay alert, watch what you are doing and use common sense when operating a power tool. Do not use a power tool while you are tired or under the influence of drugs, alcohol or medication.** *A moment of inattention while operating power tools may result in serious personal injury.*
- b) **Use personal protective equipment. Always wear eye protection.** *Protective equipment such as dust mask, non-skid safety shoes, hard hat, or*

*hearing protection used for appropriate conditions will reduce personal injuries.*

**c) Prevent unintentional starting. Ensure the switch is in the off-position connecting to power source and/or battery pack, picking up or carrying the tool. Carrying power tools with your finger on the switch or energizing power tools that have the switch on invites accidents.**

**d) Remove any adjusting key or wrench before turning the power tool on. A wrench or a key left attached to a rotating part of the power tool may result in personal injury.**

**e) Do not overreach. Keep proper footing and balance at all times. This enables better control of the power tool in unexpected situations.**

**f) Dress properly. Do not wear loose clothing or jewellery. Keep your hair, clothing and gloves away from moving parts. Loose clothes, jewellery or long hair can be caught in moving parts.**

**g) If devices are provided for the connection of dust extraction and collection facilities, ensure these are connected and properly used. Use of dust collection can reduce dust-related hazards.**

**h) Do not let familiarity gained from frequent use of tools allow you to become complacent and ignore tool safety principles. A careless action can cause severe injury within a fraction of a second.**

#### **4) Power tool use and care**

**a) Do not force the power tool. Use the correct power tool for your application. The correct power tool will do the job better and safer at the rate for which it was designed.**

**b) Do not use the power tool if the switch does not turn it on and off. Any power tool that cannot be controlled with the switch is dangerous and must be repaired.**

**c) Disconnect the plug from the power source and/or the battery pack from the power tool before making any adjustments, changing accessories, or storing power tools. Such preventive safety measures reduce the risk of starting the power tool accidentally.**

**d) Store idle power tools out of the reach of children and do not allow persons unfamiliar with the power tool or these instructions to operate the power tool. Power tools are dangerous in the hands of untrained users.**

**e) Maintain power tools. Check for misalignment or binding of moving parts, breakage of parts and any other condition that may affect the power tool's operation. If damaged, have the power tool repaired before use. Many accidents are caused by poorly maintained power tools.**

**f) Keep cutting tools sharp and clean. Properly maintained cutting tools with sharp cutting edges are less likely to bind and are easier to control.**

**g) Use the power tool, accessories and tool bits etc. in accordance with these instructions, taking into account the working conditions and the work to be performed. Use of the power tool for operations different from those intended could result in a hazardous situation.**

**h) Keep handles and grasping surfaces dry, clean and free from oil and grease.** *Slippery handles and grasping surfaces do not allow for safe handling and control of the tool in unexpected situations.*

#### **5) Battery tool use and care**

**a) Recharge only with the charger specified by the manufacturer.** *A charger that is suitable for one type of battery pack may create a risk of fire when used with another battery pack.*

**b) Use power tools only with specifically designated battery packs.** *Use of any other battery packs may create a risk of injury and fire.*

**c) When battery pack is not in use, keep it away from other metal objects, like paper clips, coins, keys, nails, screws or other small metal objects, that can make a connection from one terminal to another.** *Shorting the battery terminals together may cause burns or a fire.*

**d) Under abusive conditions, liquid may be ejected from the battery; avoid contact. If contact accidentally occurs, flush with water. If liquid contacts eyes, additionally seek medical help.** *Liquid ejected from the battery may cause irritation or burns.*

**e) Do not use a battery pack or tool that is damaged or modified.**

*Damaged or modified batteries may exhibit unpredictable behaviour resulting in fire, explosion or risk of injury.*

**f) Do not expose a battery pack or tool to fire or excessive temperature.**

*Exposure to fire or temperature above 130 °C may cause explosion.*

*NOTE The temperature „130 °C“ can be replaced by the temperature „265 °F“.*

**g) Follow all charging instructions and do not charge the battery pack or tool outside the temperature range specified in the instructions.** *Charging improperly or at temperatures outside the specified range may damage the battery and increase the risk of fire.*

#### **6) Interview**

**a) Have your power tool serviced by a qualified repair person using only identical replacement parts.** *This will ensure that the safety of the power tool is maintained.*

**b) Never service damaged battery packs.** *Service of battery packs should only be performed by the manufacturer or authorized service providers.*

**c) For tools for use in combination with an isolating transformer.** *Warning never to use the tool without the transformer delivered with the tool or of the type as specified in these instructions*

#### **Drill safety warning**

##### **1) Safety instructions for all operations**

**a) Hold power tool by insulated gripping surfaces, when performing an operation where the cutting accessory may contact hidden wiring.**

*Cutting accessory contacting a "live" wire may make exposed metal parts of the power tool "live" and could give the operator an electric shock.*

## **2) Safety instructions when using long drill bits**

- a) **Never operate at higher speed than the maximum speed rating of the drill bit.** *At higher speeds, the bit is likely to bend if allowed to rotate freely without contacting the workpiece, resulting in personal injury.*
- b) **Always start drilling at low speed and with the bit tip in contact with the workpiece.** *At higher speeds, the bit is likely to bend if allowed to rotate freely without contacting the workpiece, resulting in personal injury.*
- c) **Apply pressure only in direct line with the bit and do not apply excessive pressure.** *Bits can bend causing breakage or loss of control, resulting in personal injury.*

## **Instructions additionnelles**

- The charger and the battery are sold separately. Please buy the battery and recommended charger.
- The electric current used must match the specifications of the battery charger;
- Read the instructions and technical specifications of the charger and drums.
- Never allow moisture, rain or splashes to reach the location of refill.
- The ambient temperature should never exceed 40°C (temperature range: 5-40°C) when using the product, charging the battery and storing.
- A defective or damaged battery or no longer accepting charge must be eliminated in a special collection point. -Respect the environment. Do not throw a battery unusable with garbage in the fire or in the water.
- Keep the charger surface free of dust and dirt.
- Always remove the battery before performing any operation or maintenance on the device
- Do not recharge non-rechargeable batteries.

## **PROPER USE**

The cordless drill/screwdriver is designed for tightening and undoing screws, as well as for drilling in wood, metal and plastic.

The equipment is to be used only for its prescribed purpose. Any other use is deemed to be a case of misuse. The user / operator and not the manufacturer will be liable for any damage or injuries of any kind caused as a result of this.

Please note that our equipment has not been designed for use in commercial, trade or industrial applications. Our warranty will be voided if the machine is used in commercial, trade or industrial businesses or for equivalent purposes.

## **TECHNICAL DATA**

- Voltage: 20Vd.c.
- Idling speed: 0-450/0-2000 min<sup>-1</sup>
- Battery Capacity: 2000 mAh
- Battery Type: Li-Ion
- Chuck Size: 13 mm
- Charging time: 1h

- Lpa sound pressure level..... 86,9 dB(A)
- Uncertainty.KpA.....3 dB
- Lwa sound power level..... 97,9 dB(A)
- Uncertainty K.....3 dB

**Wear ear-muffs**

The impact of noise can cause damage to hearing.

Total vibration values (vector sum of three directions) determined in accordance with **EN62841**:

- Impact drilling: 8,690 m/s<sup>2</sup> K= 1,5 m/s<sup>2</sup>
- Drilling: 1,480 m/s<sup>2</sup> K= 1,5 m/s<sup>2</sup>

- ▶ Only use tools which are in perfect working order
- ▶ Service and clean the appliance regularly
- ▶ Adapt your working style to suit the appliance
- ▶ Do not overload the appliance
- ▶ Have the appliance serviced whenever necessary
- ▶ Switch the appliance off when it is not in use
- ▶ Wear protective gloves

**Information:**

The declared vibration total value has been measured in accordance with a standard test method and may be used for comparing one tool with another;

The declared vibration total value may also be used in a preliminary assessment of exposure.

**Warning:**

That the vibration emission during actual use of the power tool can differ from the declared total value depending on the ways in which the tool is used; and of the need to identify safety measures to protect the operator that are based on an estimation of exposure in the actual conditions of use (taking account of all parts of the operating cycle such as the times when the tool is switched off and when it is running idle in addition to the trigger time).

Wear hearing protection.

**Residual risks**

Even if you use this electric power tool in accordance with instructions, certain residual risks cannot be ruled out. The following hazards may arise in connection with the equipment's construction and layout:

Lung damage if no suitable protective dust mask is used.

Damage to hearing if no suitable ear protection is used.

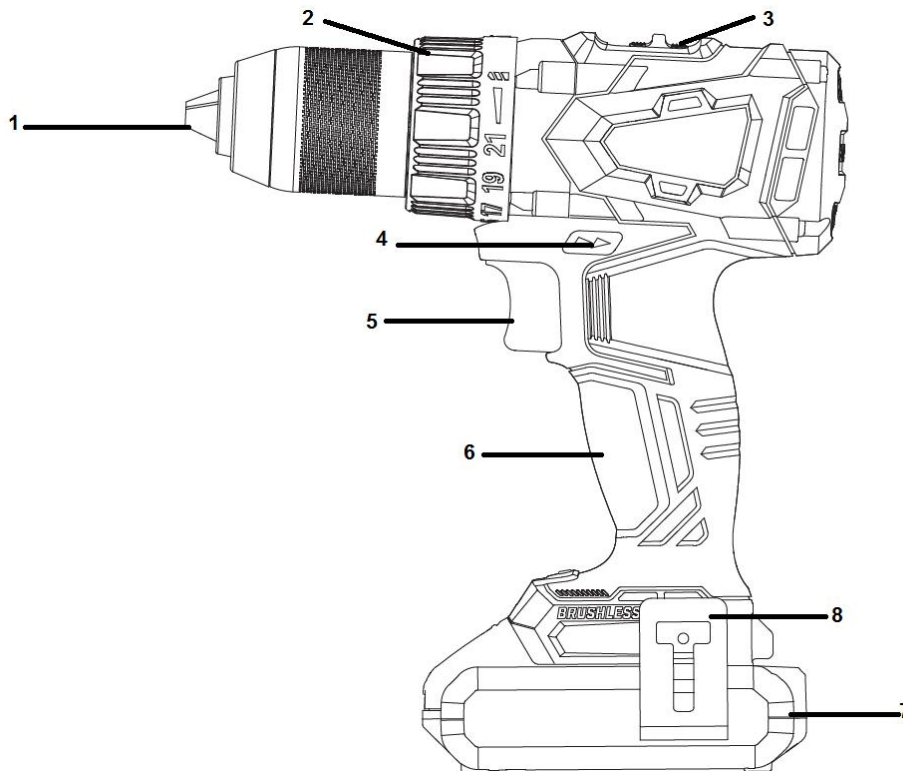
Health damage caused by hand-arm vibrations if the equipment is used over a prolonged period or is not properly guided and maintained

**BEFORE STARTING THE EQUIPMENT**

Be sure to read the following information before you put the cordless screwdriver into operation:

- ▶ Charge the battery only with the charging unit supplied.
- ▶ Only ever use sharp drill bits and screwdriver bits which are suitable for the purpose and in faultless condition.
- ▶ Always check for concealed electric cables and gas and water pipes when drilling and screwing in walls.

## DESCRIPTION



- 1- Chuck
- 2- Torque clutch
- 3- Two-speed gear train
- 4- Direction button
- 5- Trigger switch
- 6- Handle
- 7- Battery
- 8- Belt clip

## OPERATION

### Charging the battery

Remove the battery pack by pressing the blue push lock buttons on front of the battery pack.

Check that your mains voltage is the same as that marked on the rating plate. Plug the battery charger into the power socket. The **green** LED on the charging adapter then comes on.

Plug the battery pack into the charging adapter. the red LED will come on to indicate that the battery pack is being charged.the green LED indicate charge was completed



The battery pack is fully charged after 1 hour. Remove the battery from the charging adapter and disconnect the charging unit from the power socket.

## CAUTION!

The battery charger does not switch off automatically when the battery is fully charged.

If the battery pack fails to charge, check for the following:

- ▶ Voltage at the power socket
- ▶ Good contact at the charging contacts of the charging unit

If the battery pack still fails to charge, send the charging unit and the battery pack to our customer service center.

To ensure that the battery pack provides long service, you should take care to recharge it promptly. You must recharge the battery pack when you notice that the power of the cordless equipment drops. Never fully discharge the battery pack. This will cause it to develop a defect!

## **USE**

---

### **Torque setting**

The cordless screwdriver is fitted with a mechanical torque selector.

The torque for a particular screw size is set with the setting ring. The torque is dependent on a number of factors:

- on the type and hardness of the material involved
- on the type and length of the screws used
- on the requirements that the screw connection has to satisfy

### **CAUTION!**

**Only ever adjust the setting ring when the equipment is at a standstill.**

### **Drilling**

For drilling purposes, adjust the setting ring for the torque to the last setting "Drill". In the drill setting the slip coupling is non-functional. The maximum torque is available for drilling.

### **Changeover switch**

The slide switch above the On/Off switch is for setting the direction of rotation of the cordless screwdriver and for preventing the cordless screwdriver from being switched on inadvertently.

You can select between clockwise and counter clockwise rotation. To avoid causing damage to the gearing, the direction of rotation must only be changed when the screw- driver is at a standstill.

When the slide switch is in the middle position, the On/Off switch is blocked.

### **On/Off switch**

Infinitely variable speed control is possible with the On/ Off switch. The further you push the switch, the higher the speed of the cordless screwdriver.

### **Changing the bit**

#### **CAUTION!**

Set the changeover switch to its center position whenever you carry out any work (for example changing the tool, maintenance work, etc.) on the cordless screwdriver.

- Open the chuck
- The chuck opening must be large enough to hold the tool (drill bit or screwdriver bit)
- Select the suitable tool. Push the tool as far as possible into the chuck opening
- Tighten the chuck and then check that the tool is se- cure

### **Screwing**

It is advisable to use self-centring screws (e.g. Torx, cross recessed head) as these will enable you to work safely and reliably. Always make sure that the bit used is of the same size and shape as the screw. Set the torque to suit the screw size as specified in the instructions.

## **CLEANING AND MAINTENANCE**

Always pull out the mains power plug before starting any cleaning work.

### **Cleaning**

- Keep all safety devices, air vents and the motor housing free of dirt and dust as far as possible. Wipe the equipment with a clean cloth or blow it with compressed air at low pressure
- We recommend that you clean the device immediately each time you have finished using it
- Clean the equipment regularly with a moist cloth and some soft soap. Do not use cleaning agents or solvents; these could attack the plastic parts of the equipment. Ensure that no water can seep into the device. The ingress of water into an electric tool in- creases the risk of an electric shock



## Maintenance

There are no parts inside the equipment which require additional maintenance.

## DISPOSAL



Electrical products should not be discarded with household products. According to the European Directive 2012/19/EU on waste electrical and electronic equipment and its implementation into national law, electrical products used must be collected separately and disposed of at collection points provided for this purpose. Talk with your local authorities or dealer for advice on recycling.

## STORAGE

Store the equipment and accessories out of children's reach in a dark and dry place at above freezing temperature. The ideal storage temperature is between 5 and 30°C. Store the electric tool in its original packaging.

## SYMBOLS



Read instruction manual



WEEE symbol for recycling

**DECLARATION OF CONFORMITY CE**



**BUILDER SAS**  
ZI, 32, rue Aristide Bergès – 31270 Cugnaux – France

Declare that the following tool:  
CORDLESS DRILL  
HPVB20VSP-2B2A

Serial number: 20210343859-20210344358

Is in conformity with the Directive « machine » 2006/42/EC

Also in conformity with the following Directives:  
Directive EMC 2014/30/EU  
Directive ROHS (EU)2015/863 amending 2011/65/EU

Also in conformity with the following standards

**EN 62841-1:2015**  
**EN 62841-2-1:2018**  
EN 55014-1:2017  
EN 55014-2:2015

Responsible of the technical file: M. Olivier Patriarca

Cugnaux, 20/01/2021

A handwritten signature in black ink, appearing to be 'Philippe MARIE', written over a faint circular stamp or watermark.

Philippe MARIE / PDG

# WARRANTY

# HYUNDAI

## WARRANTY

The manufacturer guarantees the product against defects in material and workmanship for a period of 2 years from the date of the original purchase. The warranty only applies if the product is for household use. The warranty does not cover breakdowns due to normal wear and tear.

The manufacturer agrees to replace parts identified as defective by the designated distributor. The manufacturer does not accept responsibility for the replacement of the machine, in whole or in part, and/or ensuing damage.

### The warranty does not cover breakdowns due to:

- insufficient maintenance.
- abnormal assembly, adjustment or operations of the product.
- parts subject to normal wear and tear.

### The warranty does not extend to:

- shipping and packaging costs.
- using the tool for a purpose other than that for which it was designed.
- the use and maintenance of the machine done in a manner not described in the user manual.

Due to our policy of continuous product improvement, we reserve the right to alter or change specifications without notice. Consequently, the product may be different from the information contained therein, but a modification will be undertaken without notice if it is recognized as an improvement of the preceding characteristic.

### READ THE MANUAL CAREFULLY BEFORE USING THE MACHINE.

When ordering spare parts, please indicate the part number or code, you can find this in the spare parts list in this manual. Keep the purchase receipt; without it, the warranty is invalid. To help you with your product, we invite you to contact us by phone or via our website:

- **+33 (0)9.70.75.30.30**
- **<https://services.swap-europe.com/contact>**

You must create a "ticket" via the web platform.

- Register or create your account.
- Indicate the reference of the tool.
- Choose the subject of your request.
- Describe your problem.
- Attach these files: invoice or sales receipt, photo of the identification plate (serial number), photo of the part you need (for example: pins on the transformer plug which are broken).



# PRODUCT FAILURE

## WHAT TO DO IF MY MACHINE BREAKS DOWN?

### If you bought your product in a store:

- a) Empty the fuel tank.
- b) Make sure that your machine is complete with all accessories supplied, and clean! If this is not the case, the repairer will refuse the machine.

Go to the store with the complete machine and with the receipt or invoice.

### If you bought your product on a website:

- a) Empty the fuel tank.
- b) Make sure that your machine is complete with all accessories supplied, and clean! If this is not the case, the repairer will refuse the machine.
- c) Create a SWAP-Europe service ticket on the site: <https://services.swap-europe.com> When making the request on SWAP-Europe, you must attach the invoice and the photo of the nameplate (serial number).
- d) Contact the repair station to make sure it is available before dropping off the machine.

Go to the repair station with the complete machine packed, accompanied by the purchase invoice and the station support sheet downloadable after the service request is completed on the SWAP-Europe site

For machines with engine failure from manufacturers BRIGGS & STRATTON, HONDA and RATO, please refer to the following instructions.

Repairs will be done by approved engine manufacturers of these manufacturers, see their site:

- <http://www.briggsandstratton.com/eu/fr>
- <http://www.honda-engines-eu.com/fr/service-network-page;jsessionid=5EE8456CF39CD572AA2AEEDFD290CDAE>
- <https://www.rato-europe.com/it/service-network>

**Please keep your original packaging to allow for after-sales service returns or pack your machine with a similar cardboard box of the same dimensions.**

**For any question concerning our after-sales service you can make a request on our website <https://services.swap-europe.com>**

**Our hotline remains available at +33 (9) 70 75 30 30.**



# WARRANTY EXCLUSIONS

## THE WARRANTY DOES NOT COVER:

- Start-up and setting up of the product.
- Damage resulting from normal wear and tear of the product.
- Damage resulting from improper use of the product.
- Damage resulting from assembly or start-up not in accordance with the user manual.
- Breakdowns related to carburetion beyond 90 days and fouling of carburetors.
- Periodic and standard maintenance events.
- Actions of modification and dismantling that directly void the warranty.
- Products whose original authentication marking (brand, serial number) has been degraded, altered or withdrawn.
- Replacement of consumables.
- The use of non-original parts.
- Breakage of parts following impacts or projections.
- Accessories breakdowns.
- Defects and their consequences linked to any external cause.
- Loss of components and loss due to insufficient screwing.
- Cutting components and any damage related to the loosening of parts.
- Overload or overheating.
- Poor power supply quality: faulty voltage, voltage error, etc.
- Damages resulting from the deprivation of enjoyment of the product during the time necessary for repairs and more generally the costs related to the immobilization of the product.
- The costs of a second opinion established by a third party following an estimate by a SWAP-Europe repair station
- The use of a product which would show a defect or a breakage which was not the subject of an immediate report and/or repair with the services of SWAP-Europe.
- Deterioration linked to transport and storage\*.
- Launchers beyond 90 days.
- Oil, petrol, grease.
- Damages related to the use of non-compliant fuels or lubricants.

\* In accordance with transport legislation, damage related to transport must be declared to carriers within 48 hours maximum after observation by registered letter with acknowledgement of receipt.

This document is a supplement to your notice, a non-exhaustive list.

**Attention:** all orders must be checked in the presence of the delivery person. In case of refusal by the delivery person, it you must simply refuse the delivery and notify your refusal.

**Reminder:** the reserves do not exclude the notification by registered letter with acknowledgement within 72 hours.

### Information:

Thermal devices must be wintered each season (service available on the SWAP-Europe site). Batteries must be charged before being stored.

**HYUNDAI**  
POWER PRODUCTS

**For Inquiries, please contact:**

BUILDER SAS

32, rue Aristide Bergès Z1 31270 Cugnaux, France

Tél. : +33 (0) 5.34.502.502 Fax : +33 (0) 5.34.502.503

<http://www.hyundaipower-fr.com/>

Fabriqué en République Populaire de Chine (PRC)